

CPS1 KICK HARNESS

Spare parts

Connector	H10P-SHF-AA - 10 Pin Female connector aka JST-NH 10 Female connector
Pins	SHF-001T-0.8BS Female aka JST NH PIN Female
Wire	22 AWG as per JST recommendation

Pinout for 6 buttons games

Wire colors	Pin number	Connections
Black	1	GND
Black	2	GND
Purple	3	Player 1 button 4
Gray	4	Player 1 button 5
White	5	Player 1 button 6
	6	NC
Orange	7	Player 2 button 4
Green	8	Player 2 button 5
Blue	9	Player 2 button 6
	10	NC

Pinout for 3/4 player games

Wire colors	Pin number	Connections
Black	1	GND
Black	2	GND
	3	Right
	4	Left
	5	Down
	6	Up
	7	Button 1
	8	Button 2
	9	Coin
	10	Start

Pictures



H10P-SHF-AA



SHF-001T-0.8BS



WIRE 22 AWG

CONNECT 6 BUTTONS

Spare parts

Terminals	12 * 2.8mm Crimp Terminals Female Spade Connector
Ground	Use Standard Female Terminals or Crimp Closed End Connectors
Enclosure <i>Optionnal</i>	Quick Disconnect Sleeve or Quick Disconnect Enclosure

How to connect to buttons ?

Using Ground wire in the same connector

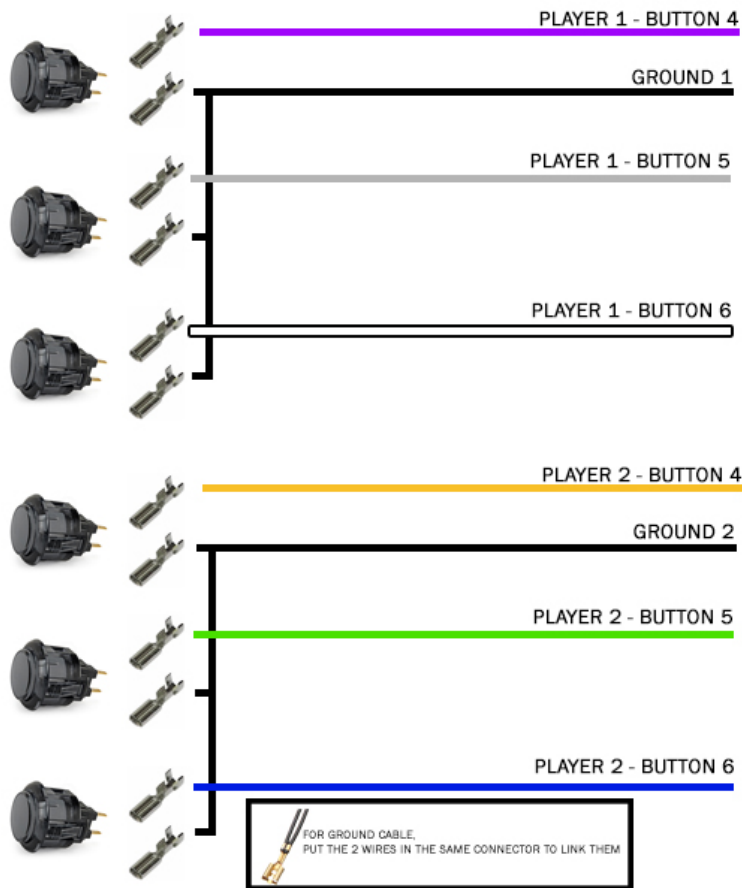
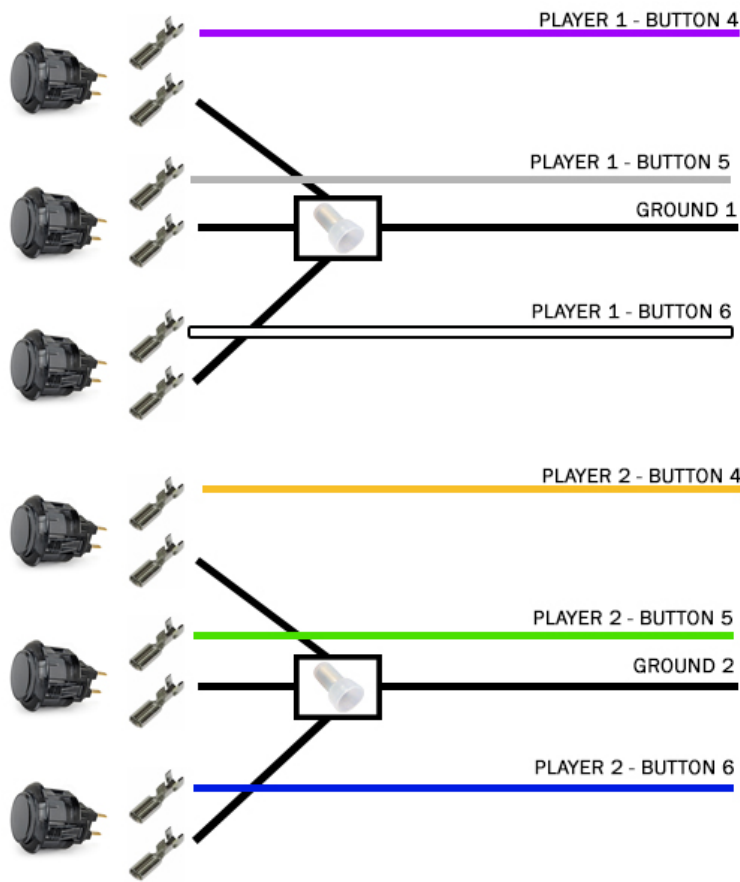


Figure a

Using crimp closed end connectors



WWW.GATENINETY.COM

Figure b

Pictures



2.8mm Crimp Terminals Female Spade Connector



Crimp Closed End Connectors



Quick Disconnect Enclosure



Quick Disconnect Sleeve

WWW.GATENINETY.COM

CONNECT 3 OR 4 PLAYER

Spare parts if using microswitches with 4.8 terminals

Terminals	8 * 4.8mm Crimp Terminals Female Spade Connector and 8 * 2.8mm Crimp Terminals Female Spade Connector
Ground	Use Standard Female Terminals or Crimp Closed End Connectors
Enclosure <i>Optionnal</i>	2.8mm Quick Disconnect Sleeve / 2.8mm Quick Disconnect Enclosure for 2.8mm Crimp Terminals Female Spade Connector and 4.8mm Quick Disconnect Sleeve for 4.8mm Crimp Terminals Female Spade Connector

How to connect the buttons and joystick ?

Using Ground wire in the same connector

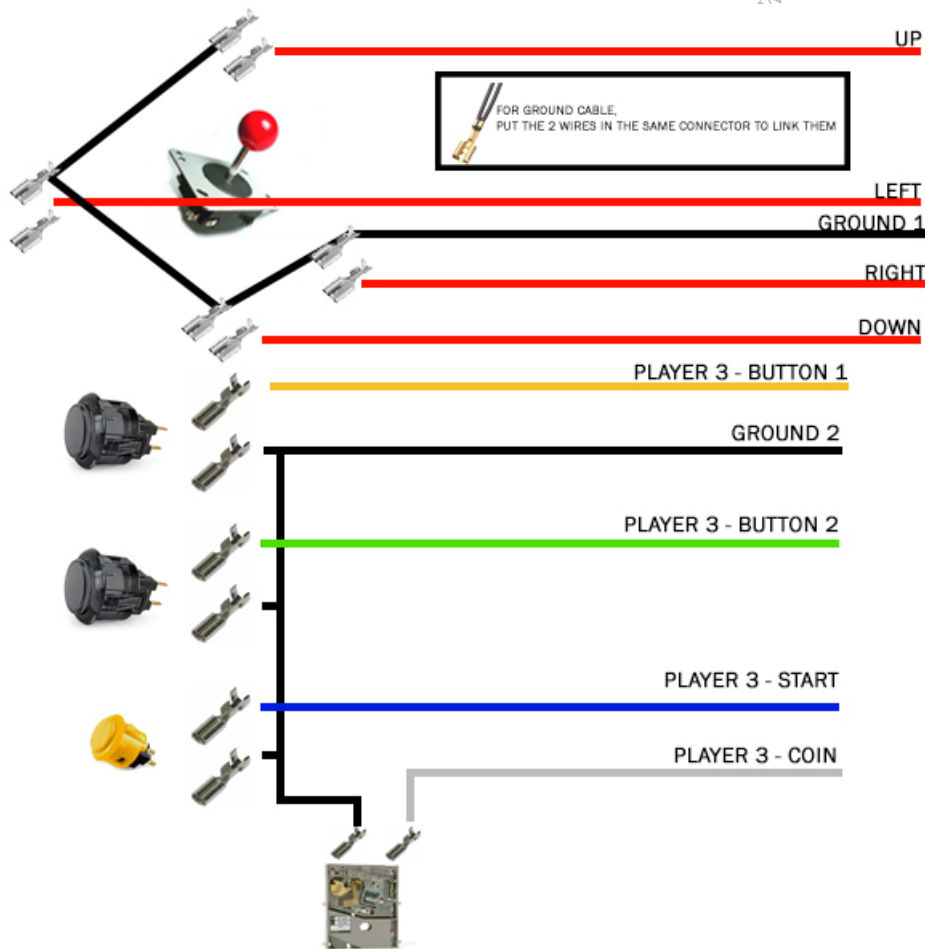


Figure C

Using crimp closed end connectors

The only difference with « figure c » is the ground wire using Crimp Closed End Connectors instead of linking them via the female terminals. Please refer to « figure b » for the principle.

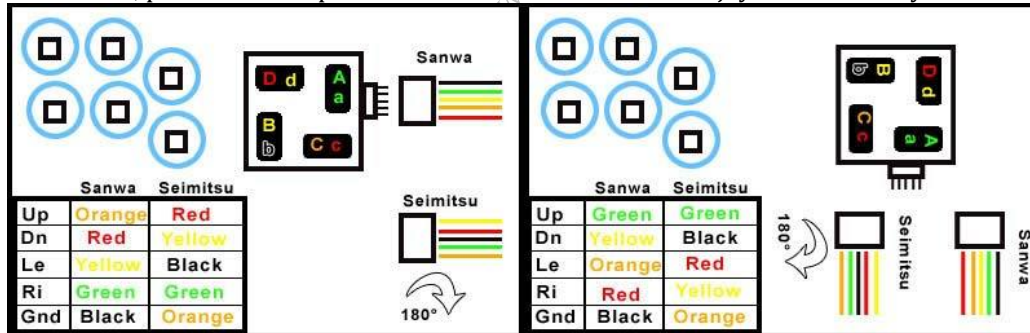
Pictures



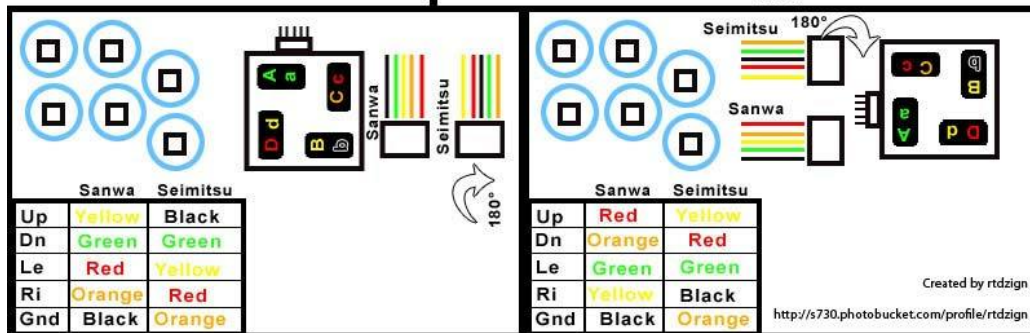
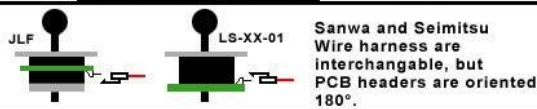
SANWA / SEIMITSU

Are you using the 5-pin wire harness for joytick ?

In this case, please use this picture as reference to connect the joystick wires to your CPS1 connector



Joystick Wiring Guide
View is looking inside of stick.



Full guide available to build your own 5-wire harness

Created by rtdzign
<http://s730.photobucket.com/profile/rtdzign>